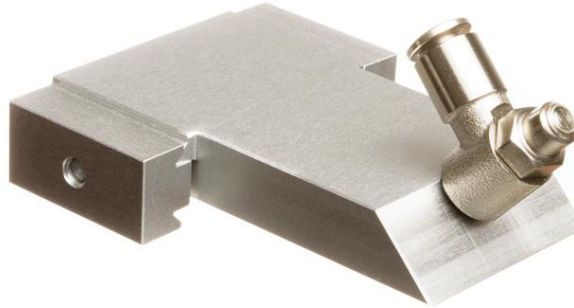


Air blow for enclosures CH50

Datasheet v1



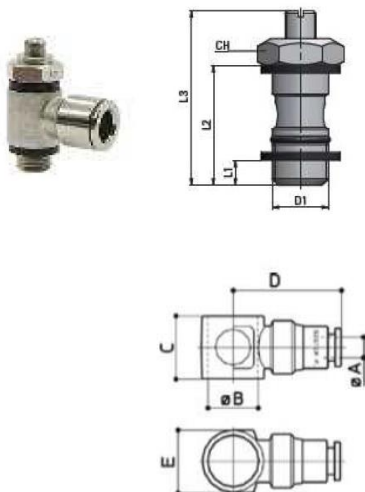
- Body made of anodized aluminum surface,
- throttle valve SV-KNS-M5 0-10bar,
- input hole for push-in plastic pipe air supply 4mm max 10bar.

Material properties

Body	Anodised Aluminium
Throttle valve	Nickel plated brass
Seal of throttle valve	NBR

Dimensions, environment

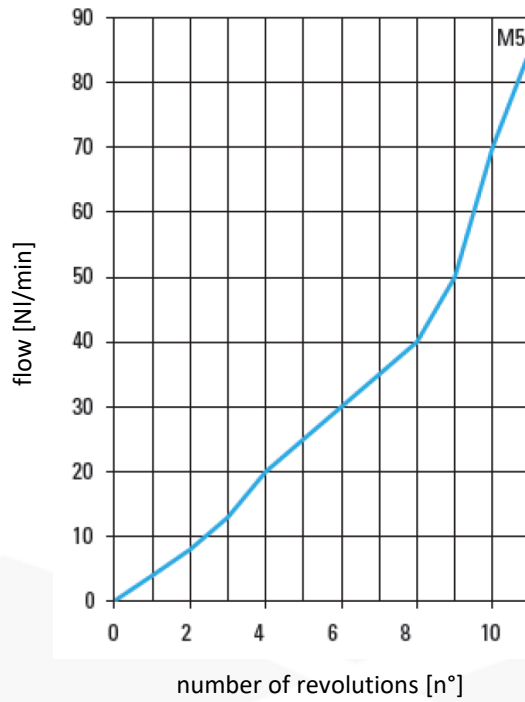
External dimensions	50 x 72 x 34 mm
Throttle valve thread	M5x4
hole for push-in pipe air supply	Ø 4mm
Tightening torque for M5	1,5 Nm



D1	L1	L2	L3 max	CH	g 
M5x0,8	4	16	25	8	5

A	B	C	D	E	F	G	CH	CH1	GR
4	5.2-M5	9	19	9					8

Dependence of the throttle valve on the revolutions



Installation with cover CH50.DIA35

