

# ARTICULATED INDUSTRIAL HOLDER UU2



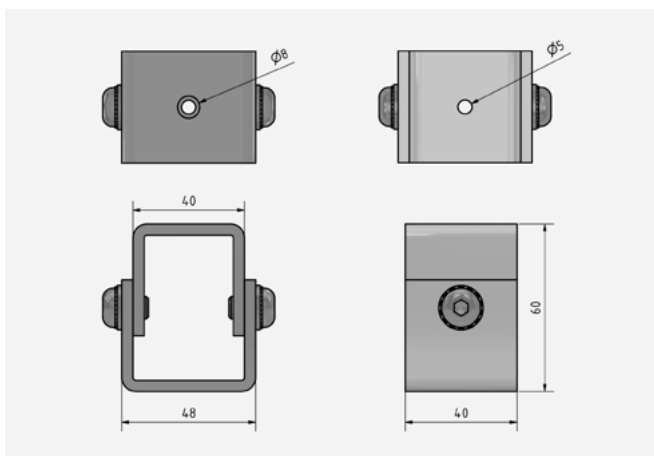
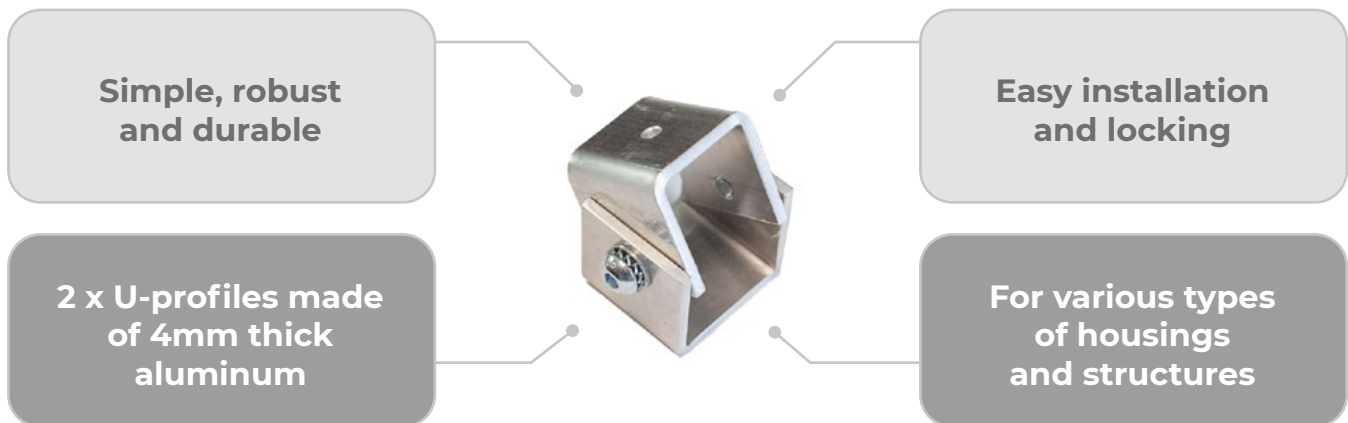
EN





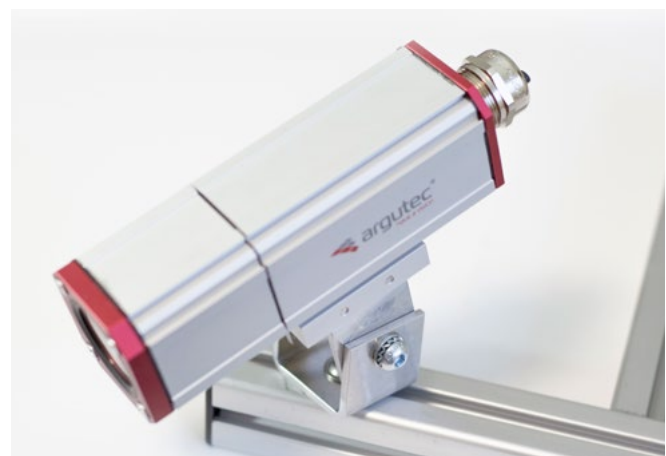
# Articulated industrial holder UU2

Robust articulated holder for industrial cameras is made of durable 4mm thick aluminum, ensuring strength and reliability. Its simple yet effective design allows easy mounting on the camera housing and subsequent adjustment to the desired position. With its universal design, this holder can be attached to nearly any structure, whether industrial equipment or other applications. Using an Allen key, the camera's position can be quickly and easily adjusted in all directions without the need to remove the camera, enabling optimal environment monitoring or surveillance.



Construction dimensions in mm.

**HOLDER UU2**



UU2 for easy handling.

**CAMERA HOUSING CH50**

## Material properties

Body	Aluminium
Screws	Galvanized (stainless steel A4 available on request)

## Dimensions, environment

External dimensions	40 x 60 x 64 mm
Thickness of aluminum	4 mm
Mounting holes	Ø 8 mm on the structural side, Ø 5 mm on the cover side

**Argutec, s. r. o.**

Na Nivách 1339/4  
700 30 Ostrava-Zábřeh  
Czech Republic

[www.argutec.eu](http://www.argutec.eu)